

Drawer Fronts:

Drawer fronts will have a minimum of 50mm (1-15/16") center flat panel.

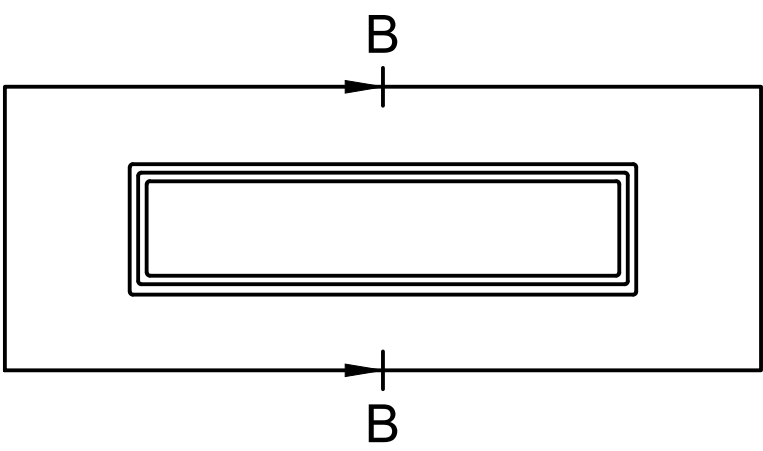
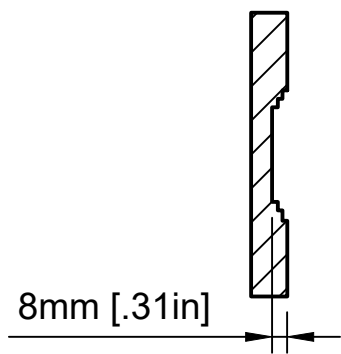
Drawer fronts less than 200mm (7-7/8") may have reduced rails and a 1-piece door design (pocketed center flat panel).

Drawer fronts less than 150mm (5-15/16") overall will be slabs with no center flat panel.

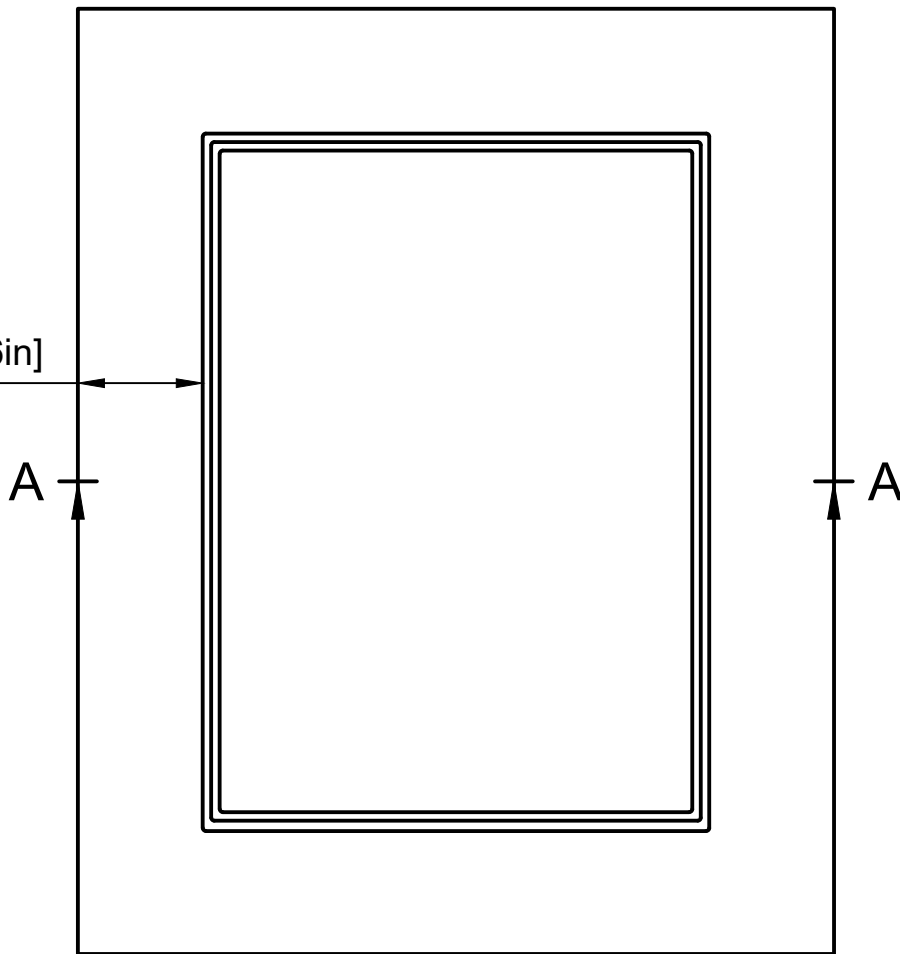
Mullion Details:

Available in 1, 3, 4 and 6 lites as standard offering. Other customizations available to request

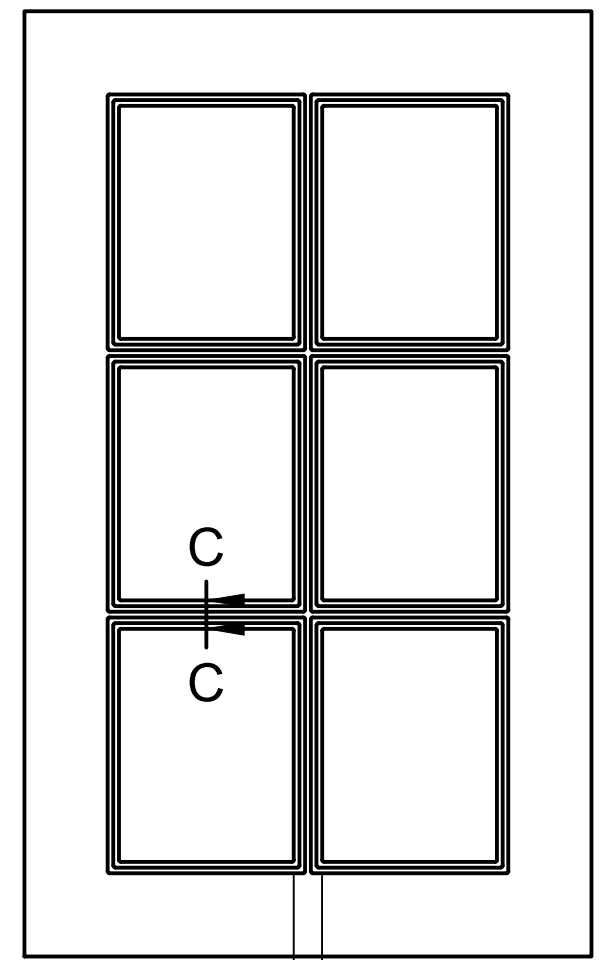
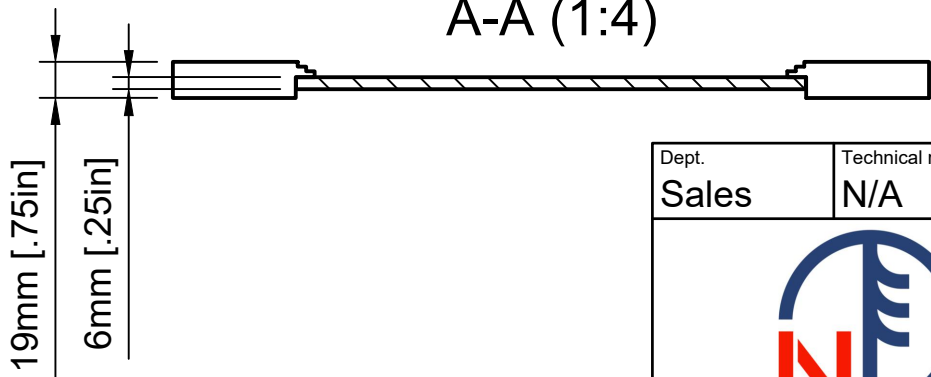
Section B-B (1:4)



66mm [2.6in]

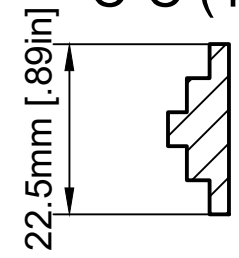


Section A-A (1:4)




22.5mm [.89in]

Section C-C (1:1)



Mullion Details

Dept. Sales	Technical reference N/A	Created by Engineering	11/4/2021	Approved by Sales	12/1/2021
		Document type Sales Blueprint	Document status Released		
		Title NORD - TURIN	DWG No. NORD - 008		
		Rev. A	Date of issue 1/3/2022	Sheet 1/1	