

1 2 3 4 5 6 7 8

A

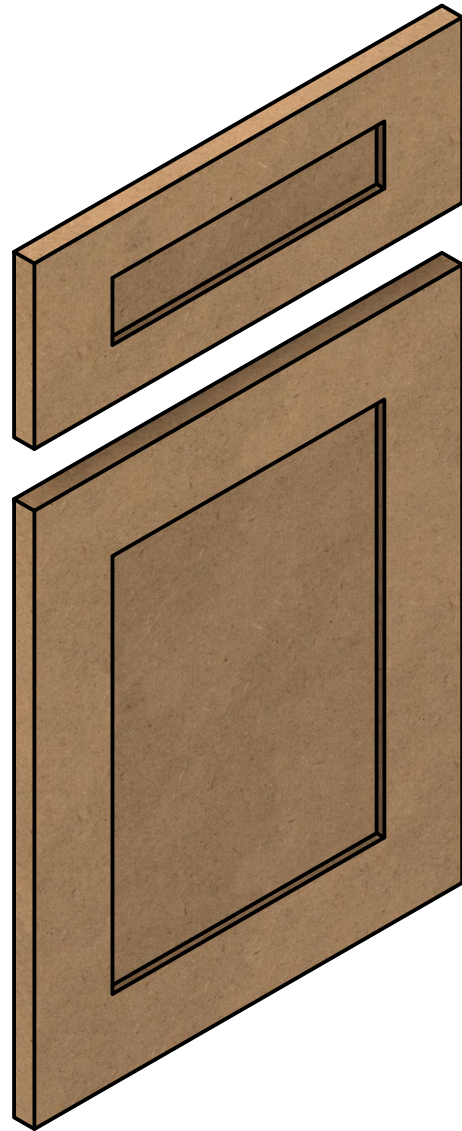
B

C

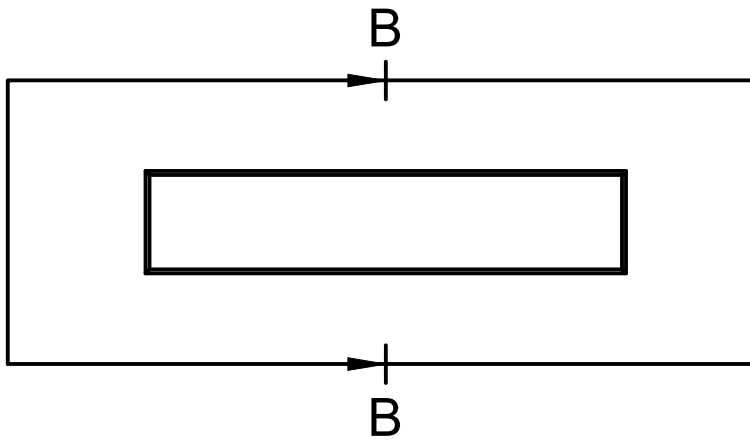
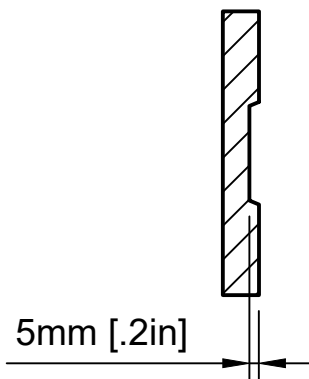
D

E

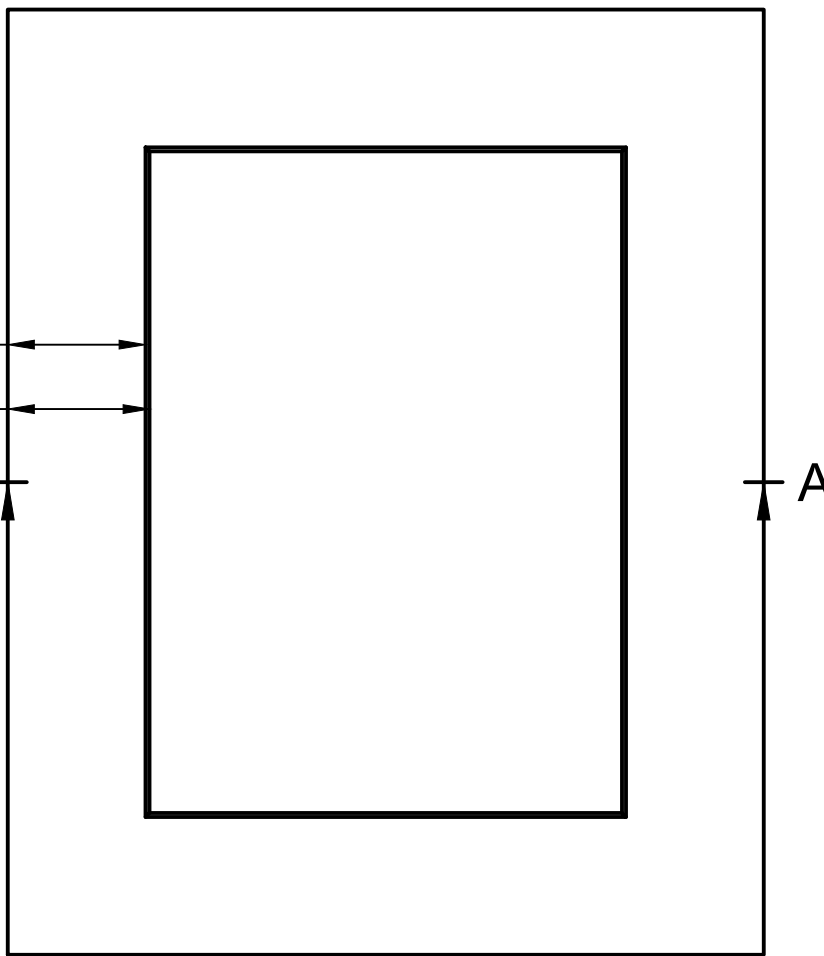
F



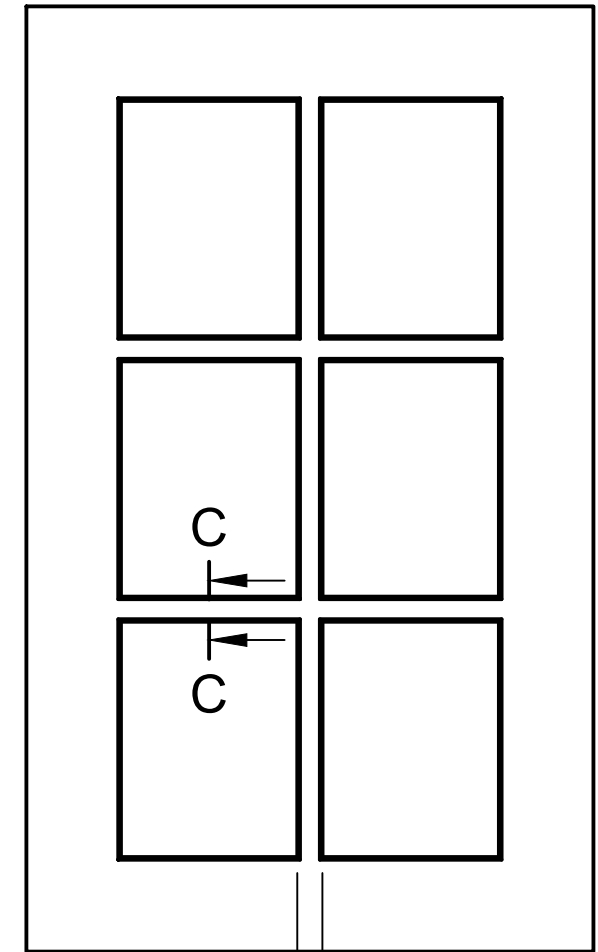
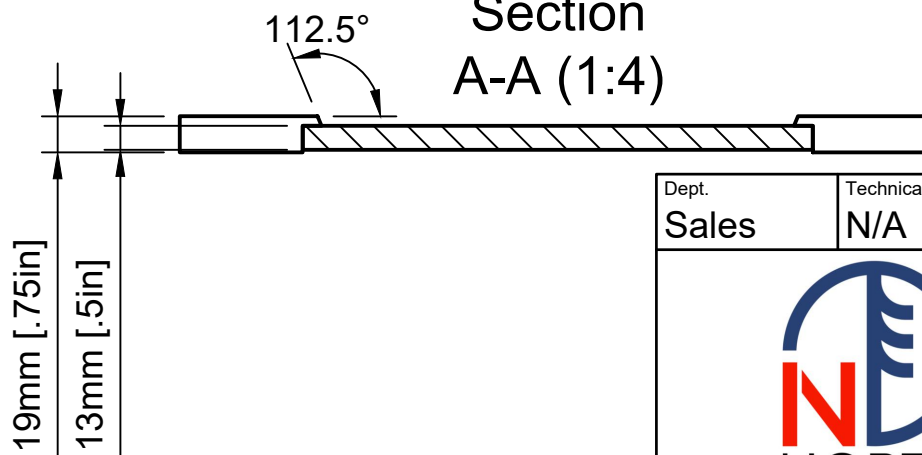
Section B-B (1:4)



73mm [2.87in]  
75mm [2.95in]

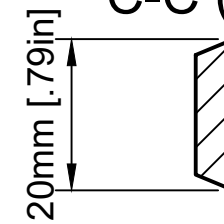


Section A-A (1:4)



20mm [.79in]

Section C-C (1:1)



### Mullion Details

**Drawer Fronts:**


Drawer fronts will have a minimum of 50mm (1-15/16") center flat panel.

Drawer fronts less than 200mm (7-7/8") may have reduced rails and a 1-piece door design (pocketed center flat panel).

Drawer fronts less than 150mm (5-15/16") overall will be slabs with no center flat panel.

**Mullion Details:**

Available in 1, 3, 4 and 6 lites as standard offering. Other customizations available to request

Dept. Sales	Technical reference N/A	Created by Engineering	11/4/2021	Approved by Sales	12/1/2021
		Document type Sales Blueprint	Document status Released		
		Title NORTE - PORTO	DWG No. NORTE - 013		
Rev. A	Date of issue 1/3/2022	Sheet 1/1			

1 2 3 4 5 6 7 8